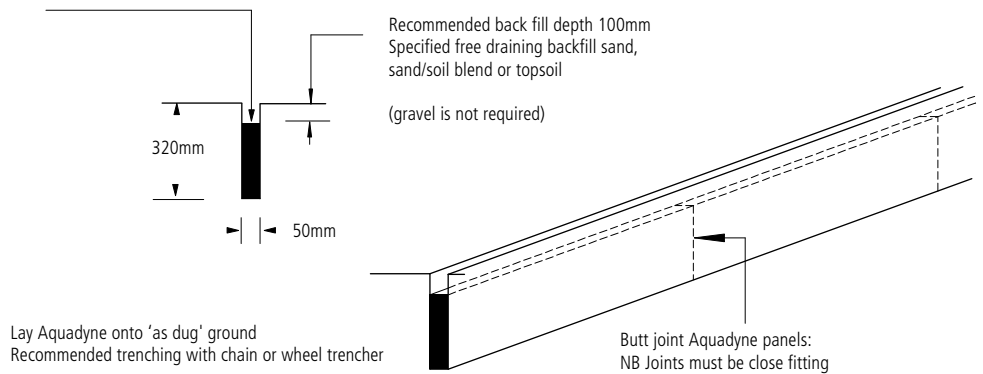


# Basic Installation Guidelines

## Single Panel Installation in Vertical Trench

Aquadyne panel size  
220mm (d) x 45mm (w) x 1000mm (l)

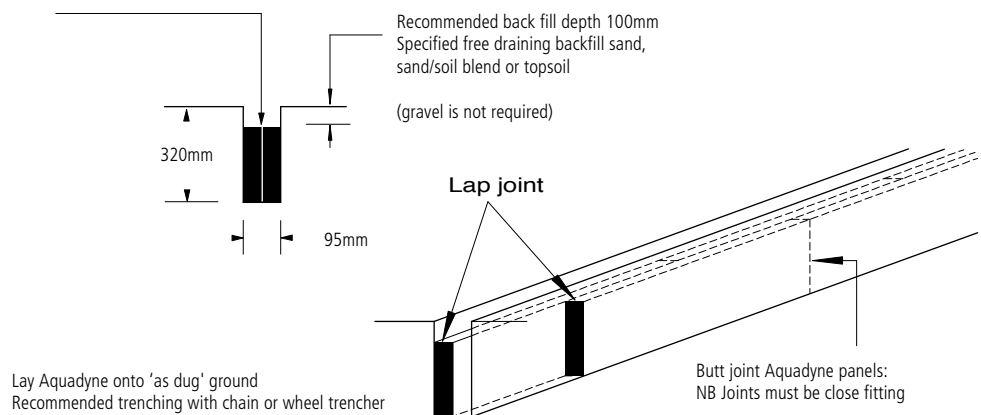
Butt joint



## Double Panel Installation in Vertical Trench

Aquadyne panel size  
220mm (d) x 45mm (w) x 1000mm (l)  
x 2 panels

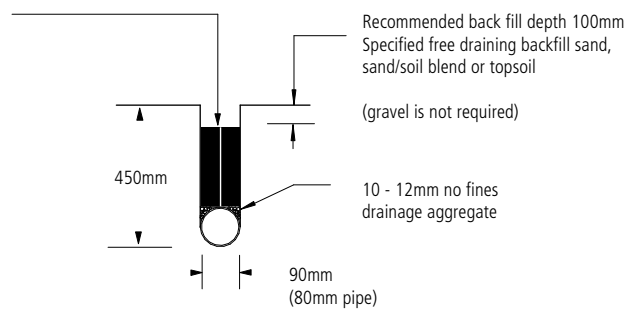
Lap joint



## Double Panel Installation in Vertical Trench onto Pipe

Aquadyne panel size  
220mm (d) x 45mm (w) x 1000mm (l)  
x 2 panels

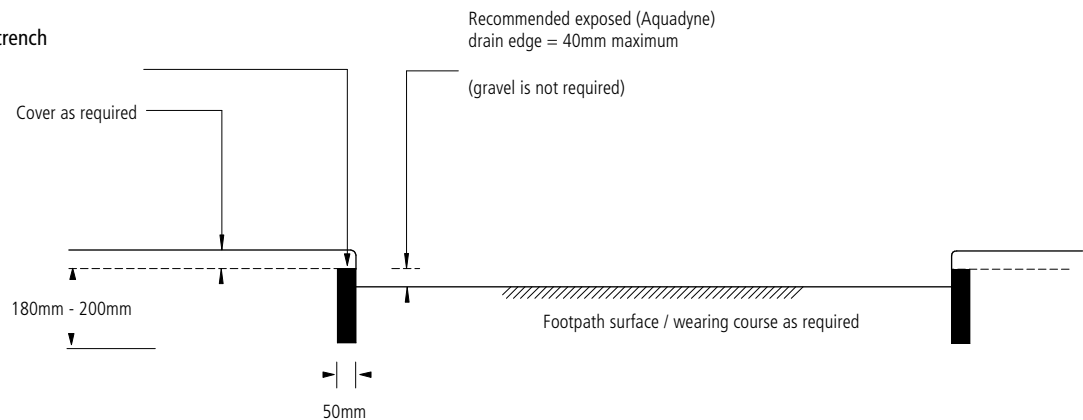
Lap joint



## Aquadyne used as path edge drainage

Use single panels in a vertical trench

Butt joint



If in doubt, please contact us to discuss